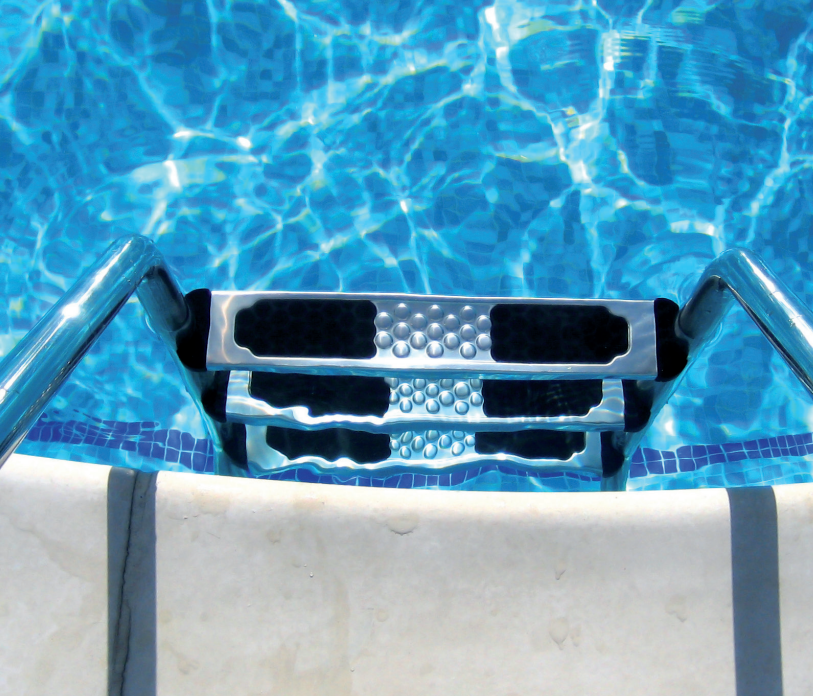




when it really counts

STAINLESS STEEL METALWORKING TOOLS

metabo[®]
PROFESSIONAL POWER TOOL SOLUTIONS



CONTENTS: STAINLESS STEEL



Finishing Guides	4-6
Burnishing for Finishing Flat Surfaces	10-13
Pipe / Tube Sanders	14-15
Fillet Weld Grinders	16-17
Band Files	18-19
Compact Variable Speed Angle Polishers	20-21
INOX Angle Grinders	22-23

METABO STAINLESS STEEL FINISHING SYSTEMS

Metabo tools have a reputation for outstanding quality, high performance and longevity. These qualities are apparent in the tools, which are designed to increase the speed of finishing metals, especially stainless steel.

Time is money, and time saved is profit gained. Metabo tools are engineered to provide the maximum return on investment.

Metabo INOX tools with VTC electronic speed stabilization and Metabo pyramid abrasives allows the user to reach a finer finish faster! The VTC electronics maintain the speed of the tools, even when fully engaged in the work, so the job can be completed in a minimum amount of time. The Metabo pyramid abrasives have a structured geometric placement of the abrasives that allow finer grit sizes to remove more material while giving a consistent finish, eliminating steps and time required to get to the final finish.

The result: Perfect finishes, time saved, increased profits.

PIPE AND TUBE FINISHING GUIDE



TUBE WITH SCRATCHES


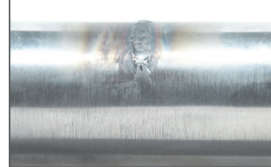
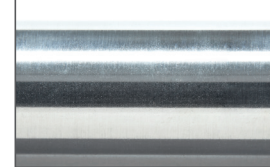
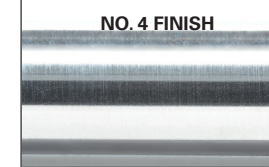
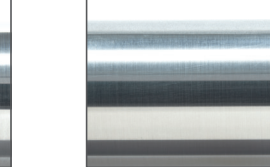





SATIN-FINISH

	
RBE 15-180 / RB 18 LTX 60	
	 +
PIPE / TUBE SANDER FINISHER Run at full speed.	Accessories Non-woven Belt medium 626320000

WELD SEAM ON TUBES

SATIN-FINISH

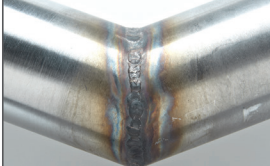
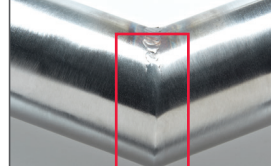
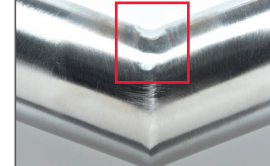
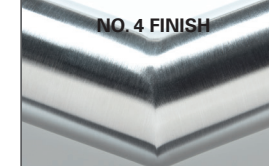

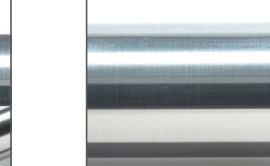
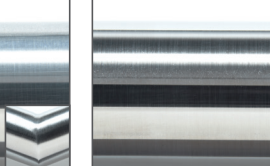
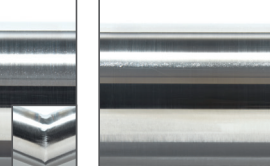
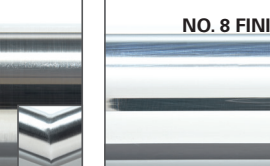











POLISHING TO MIRROR FINISH

									
	 +	 +	 +	 +	 +	 +	 +	 +	 +
	Accessories Sanding belt ceramic P80 626309000	Accessories Sanding belt ceramic grain P120 626310000	Accessories Non-woven belt medium 626320000	Accessories Pyramid P400/A45 626313000 (use close to full speed)	Accessories Pyramid P600/A30 626314000 (use close to full speed)	Accessories Pyramid P1200/A16 626315000 (use close to full speed)	Accessories Pyramid P2000/A6 626316000 (use close to full speed)	Accessories Pyramid P2000/A6 626316000 (use close to full speed)	Accessories Felt band soft 626323000 Polishing paste white 623520000

TUBES WELDED TO MITRE

SATIN-FINISH

POLISHING TO MIRROR FINISH

									
	 +	 +	 +	 +	 +	 +	 +	 +	 +
5" HIGH TORQUE ANGLE GRINDER	Accessories Combi flap disc (KLS) medium 626370000 (set speed = 3,000 rpm) Use light pressure For external weld removal.	Accessories VKS disc medium 626402000 (speed setting ≈ 4) For internal weld removal.	Accessories Non-woven belt medium 626320000 For finishing.	Accessories Pyramid P400/A45 626313000 (use close to full speed) For fine finishing.	Accessories Pyramid P600/A30 626314000 (use close to full speed)	Accessories Pyramid P1200/A16 626315000 (use close to full speed)	Accessories Pyramid P2000/A6 626316000 (use close to full speed)	Accessories Pyramid P2000/A6 626316000 (use close to full speed)	Accessories Felt band (soft 626323000) Polishing paste (white 623520000) Felt disc (soft 626395000)

FLAT SURFACE FINISHING GUIDE



SURFACES WITH SLIGHT SCRATCHES → **SATIN-FINISH**

WEV15-125 Quick INOX	SE 12-115	
5" HIGH TORQUE ANGLE GRINDER	Accessories	Accessories
	<ul style="list-style-type: none"> Pyramid P600/A30 626374000 (use close to full speed) 	<ul style="list-style-type: none"> Rubberized abrasive wheel P180 623499000 Non-woven nylon abrasive wheel P180 623488000

WELDED SEAMS ON WIDE SURFACES → **SATIN-FINISH** → **POLISHING TO MIRROR FINISH**

SE 17-200 RT / S 18 LTX 115	WEV 15-125 Q Inox		PE 15-20 RT / PE 15-30 High Torque Polishers
4" BURNISHER	Accessories	Accessories	Accessories
	<ul style="list-style-type: none"> Expansion roller 2300000 flap disc (KLS) belts coarse 4" 626369000 P80 6234740000 	<ul style="list-style-type: none"> Rubberized abrasive wheel P180 623499000 Non-woven/abrasive wheel P180 623488000 Pyramid P400/A45 626407000 (use close to full speed) Pyramid P600/A30 626408000 (use close to full speed) Pyramid P1200/A16 626409000 (use close to full speed) Pyramid P2000/A6 626410000 (use close to full speed) 	<ul style="list-style-type: none"> Polishing paste white 623520000 Cling-fit polishing soft felt disc 624964000 Polishing paste blue 623524000

ANGLES WELDED TO A MITRE AND NARROW SURFACES → **SATIN-FINISH** → **POLISHING TO MIRROR FINISH**

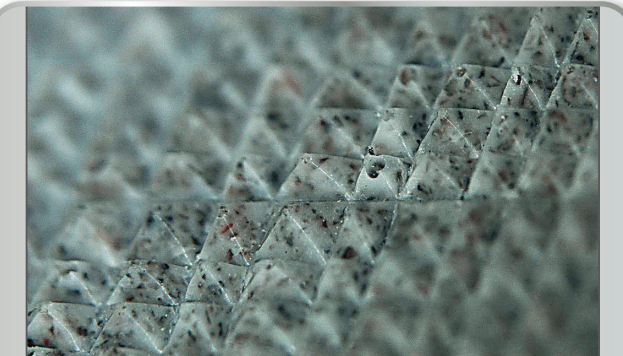
WEV15-125 Quick INOX	SE 17-200 RT / S 18 LTX 115	WEV15-125 Quick INOX	
Accessories	Accessories	Accessories	Accessories
<ul style="list-style-type: none"> Combi flap disc (KLS) medium 626370000 (set speed ≈ 3,000 rpm) Use light pressure 	<ul style="list-style-type: none"> Inox adhesive tape 626376000 Non-woven abrasive wheel P80 623487000 Pyramid P280/A65 626372000 (use close to full speed) 	<ul style="list-style-type: none"> Pyramid P400/A45 626373000 (use close to full speed) Pyramid P600/A30 626374000 (use close to full speed) 	<ul style="list-style-type: none"> Non-woven disc (VKS) 626368000 (set speed ≈ 3,000-4,000 rpm) Polishing paste white 623520000 Cling-fit polishing soft felt disc 624964000 Polishing paste blue 623524000

STAINLESS STEEL FINISHING

Metabo Pyramid: The perfect abrasive!
Finest finish. Fastest finish.



Preparation for Polishing; Metabo INOX 5" grinders, 5" 'cling fit' Pyramid sanding discs in grit range from A160 (120 grit) to A30 (600 grit) with 5" backing pad 623298000.



3-dimensional structure of the grinding media of our "Pyramid" sanding belts.

Unique structured abrasive delivers consistent finishes with higher cut rates while remaining cool under pressure.

Suited for finishing mild steels, stainless steels, nickel alloys, titanium, aluminum and non-ferrous metals.

Higher cut rates even with the finer grit sizes allows for reduction in steps to reach the final finish. Result, lower overall cost.



The Pipe and Tube sanders for a uniform even finish on hand rails using Pyramid sanding belts from A160 (120 grit) to A6 (2000 grit).



(tool does not include roller guide)
Preparation for mirror polishing: Metabo Bur-nishers with expansion roller, and Pyramid sanding belts from A160 (120 grit) to A6 (2000 grit).



CORDED Burnisher
SE 17-200 RT



18V CORDLESS Burnisher
S 18 LTX 115

Burnishing tool produces fine finishes on flat stainless steel surfaces

Model	SE 17-200 RT 602259620	Model Bare Tool:	S 18 LTX 115 600154850
Double insulated	•	Electronic clutch	•
Electronics	Vario-tacho-constamatic (VTC)	Electronic overload protection	•
Motor	LongLife	Switch with lock on capability*	•
Toolless wheel change system	•	Power interruption protection	•
Spindle lock	•	Electronic soft start	•
Winding protection grid	•	Spindle lock	•
High performance planetary gears	•	Rotatable battery pack	•
Variable speed controlled by adjusting dial	•	Detachable dust filter	•
Auto-stop carbon brushes	•	Spindle thread	M14
Maximum torque	151 inch lbs.	Arbor size	3/4" keyed
No-load speed (RPM)	800-3,000	Max diameter of accessories	8"
Amps	14.5	Max width of accessories	4"
Rated input watts	1,700	No-load speed (RPM)	3,000
Spindle thread	5/8"-11		
Arbor Size	3/4" keyed	Standard equipment:	M14 Arbor Complete (316052550)
Carrying case	344453970 (standard)		Dust filter (343398890)
			19 mm wrench (344161300)
Standard equipment:	Case (344453120) 1 - Allen key (344161300)	Optional equipment:	2" Spindle (626413000)
	1 - Expansion roll for grinding and polishing sleeves (623470000)		
	3 - P80 Sanding belt (623474000)		
	1 - P80 Flap wheel (623479000)		
	1 - 4" x 4" P180 interleaved (623485000)		
	1 - 4" x 4" P280 non-woven nylon wheel (623514000)		
	1 - Set of spacer rings (623511000)		
	1 - 3/4" Arbor complete (316052560)		
Optional equipment:	2" Spindle (626413000)		

Recommended Accessory



• 2" Guard/Spindle accessory

Order #
626413000

Kit includes the required abrasives to go from a #2 mill finish to a fine #4 finish.

Burnisher Accessories

Expansion roller



- For using sanding belts and abrasive sleeves. The belts / abrasive sleeves are pushed over the roller and clamped securely by centrifugal force. Aggressive metal removal.

Diameter inches	Order #
4" x 4"	623470000

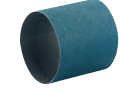
Pneumatic sanding drum



- For using sanding belts and abrasives sleeves. The sanding belts / abrasive sleeves are pushed over the drum and clamped securely by pneumatic force. Fine metal finishing.

Diameter inches	Order #
4" x 4"	623542000

Sanding belts



- Material: zirconia alumina
- Suitable for all metals and stainless steel
- For removing scratches and smoothing weld seams

Diameter inches	Grit	Pcs/Pkg	Order #
4" x 4"	P 40	10	623512000
4" x 4"	P 60	10	623473000
4" x 4"	P 80	10	623474000
4" x 4"	P 120	10	623475000
4" x 4"	P 220	10	623476000

Felt Flap Rolls



- Patented flap design made with 70% wool felt material. Designed to be used in combination with a rouge or compound that can produce a mirror surface finish. The flap construction increases flexibility and runs cooler, for overall better performance.

(Medium version: Flaps are slit lengthwise to create a mop effect. This increases the flexibility of the material for polishing irregular or contoured surfaces.)

Diameter inches	Version	Pcs/Pkg	Order #
4-1/4" x 4" x 5/8-11	Medium	1	656790000
4-1/4" x 4" x 5/8-11	Fine	1	656791000

Non-woven sinus wheel



- For transition-free matt and satin-finishes on stainless steel surfaces and non-ferrous metals
- For removing minor scratches and for cleaning surfaces
- Elastic nylon fleece containing grit with a corrugated arrangement on the core
- Maximum speed: 5,900 /min; recommended speed: 3,000 /min

Diameter inches	Grit	Order #
4" x 4"	P 180	623567000

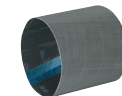
Nylon non-woven abrasive sleeves



- For removing scratches and oxide layers, tarnishing, graining, deburring and fine grinding

Diameter inches	Version	Pcs/Pkg	Order #
4" x 4"	Coarse (brown)	2	623519000
4" x 4"	Medium (maroon)	2	623495000
4" x 4"	Fine (blue)	2	623496000

"Pyramid" sanding belts



- For all metal uses, suited for processing steel/stainless steel and aluminum
- 3-dimensional structure of the grinding media (pyramid-shaped). High removal of material with an even and fine grinding finish
- Quick progress; considerably reduces working stages compared to traditional grinding methods

Diameter inches	Grit	Pcs/Pkg	Order #
4" x 4"	P 120 (A 160)	5	626405000
4" x 4"	P 280 (A 65)	5	626406000
4" x 4"	P 400 (A 45)	5	626407000
4" x 4"	P 600 (A 30)	5	626408000
4" x 4"	P 1200 (A 16)	5	626409000
4" x 4"	P 2000 (A 6)	5	626410000

Flap wheels



- For removing rust, oxide layers, scratches
- For texturing and graining metal

Diameter inches	Grit	Pcs/Pkg	Order #
4" x 4"	P 40	1	623477000
4" x 4"	P 60	1	623513000
4" x 4"	P 80	1	623479000
4" x 4"	P 120	1	623480000
4" x 4"	P 180	1	623481000
4" x 4"	P 240	1	623482000

Interleaved wheels

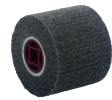


- Pink aluminum oxide sanding flaps combined with grain-coated non-woven nylon
- For tarnishing, graining and removing scratches on metal

Diameter inches	Grit	Pcs/Pkg	Order #
4" x 4"	P 60	1	623483000
4" x 4"	P 80	1	623484000
4" x 4"	P 180	1	623485000
4" x 2"	P 60	1	623526000
4" x 2"	P 80	1	623527000
4" x 2"	P 180	1	623528000

Burnisher Accessories

Non-woven nylon abrasive wheels



- Elastic grain-coated nylon web for shadow-free tarnishing, graining and polishing of stainless steel and non-ferrous metals

Diameter inches	Grit	Pcs/Pkg	Order #
4" x 4"	P 60	1	623486000
4" x 4"	P 80	1	623487000
4" x 4"	P 180	1	623488000
4" x 4"	P 280	1	623514000
4" x 4"	P 400	1	623468000
4" x 4"	P 600	1	623469000
4" x 4"	P 900	1	623494000

Hard stripping wheel



- For cleaning and descaling weld seams
- Removing rust, oxide layers and paint
- Strong longitudinal grinding of stainless steel

Dimensions inches	Grit	Pcs/Pkg	Order #
4" x 4"	P 46	1	623525000

Rubberized abrasive wheels



- Rubberized silicone carbide abrasive grain coating
- For removing small scratches. For bright shining, decorative longitudinal grinding of stainless steel and non-ferrous metals

Diameter inches	Grit	Pcs/Pkg	Order #
4" x 4"	P 60	1	623510000
4" x 4"	P 180	1	623499000

Cotton web polishing rings



- For pre-polishing non-ferrous steel in conjunction with the brown polishing paste 623522000
- Size: 4" x 3/8"
- Type: hard
- Pcs/Pkg: 8

Order #
623508000



- For high-gloss polishing of all metals in conjunction with the blue polishing paste 623524000
- Size: 4" x 3/8"
- Type: soft
- Pcs/Pkg: 8

Order #
623509000

Sisal polishing rings



- For pre-polishing steel and stainless steel in conjunction with the white polishing paste 623520000
- Size: 4" x 1/2"
- Type: impregnated
- Pcs/Pkg : 5

Order #
623507000

Polishing paste, white



- For pre-polishing and polishing steel and stainless steel in conjunction with sisal polishing rings, for example, 623507000

Order #
623520000

Polishing paste, brown



- For pre-polishing and polishing non-ferrous metals in conjunction with cotton web polishing rings, for example, 623508000

Order #
623522000

Polishing paste, blue



- For high-gloss polishing of all metals in conjunction with cotton web polishing rings, for example, 623509000

Order #
623524000

Steel-wire wheel brushes



- Ideal for removing rust, deburring and cleaning metal

Diameter inches	Width inches	Wire thickness	Order #
4"	2-3/4"	.010 mm	623501000

Stainless steel-wire wheel brushes



- With stainless wire. For cleaning weld seams, deburring, removing rust, roughening

Diameter inches	Width inches	Wire thickness	Order #
4"	2-3/4"	.008 mm	623503000

Plastic wheel brushes



- Elastic, grain-coated wheel brush for roughening and deburring metal

Diameter inches	Width inches	Order #
4"	2-3/4"	623505000

Burnisher Accessories

3 spacer rings



- For width compensation when using grinding rollers, brushes, polishing rings

Order #
623511000

Sanding belt driver



- With smooth surface for non-slip work with grinding belts, nylon web and felt band
- Size: 3-3/8" x 2-3/4"

Order #
623529000

Guard/Spindle Accessory



- 2" Guard/Spindle accessory

Order #
626413000

Adhesive tape



- For re-closing the sanding belts

Order #
623530000

Non-woven nylon web bands



- For fine grinding or polishing, also on "closed" pipe constructions
- Recloseable by "buttonhole closure"
- Use in combination with the sanding belt roll 623529000

Length inches	Width inches	Grit	Pcs/Pkg	Order #
26"	1-3/16"	coarse (brown)	3	623536000
26"	1-3/16"	medium (maroon)	3	623537000
26"	1-3/16"	fine (blue)	3	623538000
26"	1-3/16"	super fine (grey)	3	623539000

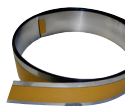
Felt band



- For polishing work, also on "closed" pipe constructions
- Can be used on both sides
- Recloseable by "buttonhole closure"
- Use in combination with the sanding belt roll 623529000

Order #
623541000

Stainless steel adhesive tape



- 1-9/16" W x 8' 4" L x .20 Thick, self-adhesive

Order #
626376000

TIP:

Never reuse an abrasive accessory that has been used on steel or stainless steel, reuse could result into corrosion of the material.



CORDED
Pipe/Tube Sander
RBE 15-180



18V CORDLESS
Pipe/Tube Sander
RB 18 LTX 60

For reworking and polishing mounted handrails and pipes

Model	RBE 15-180 602243620
Electronics	Vario-tacho-constamatic (VTC)
LongLife motor	•
Switch with lock on capability	•
Power interruption protection	•
Spindle lock	•
Low profile aluminum die-cast gear housing	•
Variable speed dial	•
Ergonomic side handle	•
Electronic winding temperature monitor with LED display	•
Auto-stop carbon brushes	•
Winding protection grid	•
Electronic soft start feature	•
Electronic speed stabilization	•
Maximum pipe / tube dia.	7"
Dimensions of grinding belt	1-1/2" x 30"
Wrap angle (maximum)	270°
No-load speed	1,650-5,512 ft./min
Amps	13.5
Rated input watts	1,550
Carrying case	344453970 (standard)
Standard equipment:	Side handle (316046590)
	10 (pcs) Zirconia alumina sanding belts P80 (626306000)
	2 (pcs) Pyramid sanding belts P280/A65 (626312000) P400/A45 (626313000) P600/A30 (626314000) P1200/A16 (626315000)
	3 (pcs) Non-woven medium (626320000)

Model	RB 18 LTX 60 600192850
Electronic clutch	•
Electronic overload protection	•
Switch with lock on capability*	•
Power interruption protection	•
Electronic soft start	•
Spindle lock	•
Rotatable battery pack	•
Detachable dust filter	•
Wheel/belt size	1-3/16 x 21
No-load speed (SFM)	1, 812
Standard equipment:	Dust filter (343398890) Hex key (344161510)



Pipe / Tube Belt Sander Accessories

Aluminum oxide sanding belts

- Suitable for use throughout the metal industry
- Grinding material with sturdy cotton base
- Good cutting output with good tool life
- Even grinding results

Grit	RBE15-180 (Belt Size: 1-1/2" x 30)		RB18 LTX 60 (Belt Size: 1-3/16" x 21")
	Order #	Pcs/Pkg	Order #
P 120	626300000	10	626279000
P 180	626301000	10	626280000
P 240	626302000	10	626281000
P 320	626303000	10	626282000
P 400	626304000	10	626283000

Zirconia alumina sanding belts

- For all metal uses, particularly suited to the processing of stainless steel
- Grinding material with cotton backing
- Fast cutting with good life
- For rough finishing and deburring of steel and stainless steel

Grit	RBE15-180 (Belt Size: 1-1/2" x 30)		RB18 LTX 60 (Belt Size: 1-3/16" x 21")
	Order #	Pcs/Pkg	Order #
P 60	626305000	10	626284000
P 80	626306000	10	626285000
P 120	626307000	10	626286000

Ceramic grain sanding belts

- For all metal uses, particularly suited to the processing of stainless steel
- Fast cutting with extremely long life thanks to the self-sharpening ceramic grain
- For rough finishing and deburring of steel and stainless steel

Grit	RBE15-180 (Belt Size: 1-1/2" x 30)	
	Order #	Pcs/Pkg
P 60	626308000	10
P 80	626309000	10
P 120	626310000	10

"Pyramid" sanding belts

- For all metal uses, particularly suited to the processing of stainless steel
- 3-dimensional structure of the grinding media (pyramid-shaped). High removal of material with a very even and fine grinding result for the entire lifetime of the product
- Fastest finish; considerably reduces working time compared to traditional grinding methods

Grit	RBE15-180 (Belt Size: 1-1/2" x 30)		RB18 LTX 60 (Belt Size: 1-3/16" x 21")
	Order #	Pcs/Pkg	Order #
P 120 (A 160)	626311000	5	626290000
P 280 (A 65)	626312000	5	626291000
P 400 (A 45)	626313000	5	626292000
P 600 (A 30)	626314000	5	626293000
P 1200 (A 16)	626315000	5	626294000
P 2000 (A6)	626316000	5	626295000

Non-woven nylon web belts

- For grinding, cleaning and finishing work
- For removing scratches, color runs and oxide layers
- For preparing, pre-grinding and polishing weld seams

Grit	RBE15-180 (Belt Size: 1-1/2" x 30)		RB18 LTX 60 (Belt Size: 1-3/16" x 21")
	Order #	Pcs/Pkg	Order #
Coarse (brown)	626319000	3	626296000
Medium (maroon)	626320000	3	626297000
Very fine (blue)	626322000	3	626298000

Felt belt

- For polishing stainless steel and non-ferrous metals, always in conjunction with a polishing paste

Grit	RBE15-180 (Belt Size: 1-1/2" x 30)		RB18 LTX 60 (Belt Size: 1-3/16" x 21")
	Order #	Pcs/Pkg	Order #
Soft	626323000	1	626299000

Polishing paste, white

- For pre-polishing and polishing steel and stainless steel in conjunction with sisal polishing rings, for example, 623507000

Polishing paste, brown

- For pre-polishing and polishing non-ferrous metals in conjunction with cotton web polishing rings, for example, 623508000

Polishing paste, blue

- For high-gloss polishing of all metals in conjunction with cotton web polishing rings, for example, 623509000

Micro fiber cloth

- 3 micro-fiber cloths
- For cleaning and evenly distributing protective media and polishes, for removing pastes and cream residue
- Suitable for all metals and hard plastics



CORDED
Fillet Weld Grinder/Finisher
 KNSE 9-150



18V CORDLESS
Fillet Weld Grinder/Finisher
 KNS 18 LTX 150

Grinds/finishes stainless steel weld seams in tight and hard to reach places

Model	KNSE 9-150 602265620
Electronics	Vario-tacho-constamatic (VTC)
Motor	LongLife
Switch with lock on capability	•
Power interruption protection	•
Spindle lock	•
Low profile aluminum die-cast gear housing	•
Variable speed dial	•
Adjustable guard	•
Ergonomic side handle	•
Electronic winding temperature monitor with LED display	•
Auto-stop carbon brushes	•
Winding protection grid	•
Electronic soft start feature	•
Electronic speed stabilization	•
No-load speed (RPM)	900-3,800
Amps	8.5
Rated input watts	950
Wheel size / arbor	6" x 1"
Spindle thread	M14
Carrying case	344453990 (standard)
Standard equipment:	Side handle (316046590) Wheel guard (339203590) Flange set (316047400) Hex wrench (344161510) Spanner wrench (623934000)
	1 (pc) Fleece compact disc (6" x 1/4" x 1", medium) (626402000) (6" x 1/4" x 1", very fine) (626401000) (6" x 1/8" x 1", medium) (626400000)

Model	KNS 18 LTX 150 600191850
Bare Tool:	
Electronic clutch	•
Electronic overload protection	•
Switch with lock on capability*	•
Power interruption protection	•
Electronic soft start	•
Spindle lock	•
Rotatable battery pack	•
Detachable dust filter	•
Spindle thread	M14
Arbor size	1"
Wheel/belt size	6" dia.
Max diameter of accessories	6"
No-load speed (RPM)	3,800
Standard equipment:	Dust filter (343398890) Flange set (316047400) Hex wrench (344161510) Spanner wrench (623934000) Side handle (316046590)

Fillet Weld Grinder Accessories

Compressed non-woven nylon discs - VKS



- Made of compressed nylon on a fiberglass disc
- For cleaning and polishing surfaces, for smoothing weld seams; reduces the number of working stages required
- For alloy and high-alloy steels, colored and light metals, chrome and nickel steels, titanium, stainless steels

Dimensions inches	Grit	Pcs/Pkg	Order #
6" x 1/8" x 1"	Medium	1	626400000
6" x 1/4" x 1"	Very fine	1	626401000
6" x 1/4" x 1"	Medium	1	626402000

Micro-fiber cloth



- 3 micro-fiber cloths
- For cleaning and evenly distributing protective media and polishes, for removing pastes and cream residue
- Suitable for all metals and hard plastics

Order #
626398000

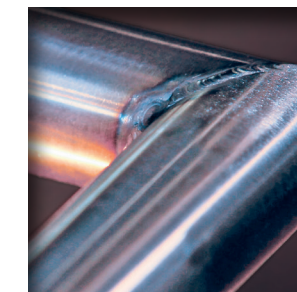
Felt disc



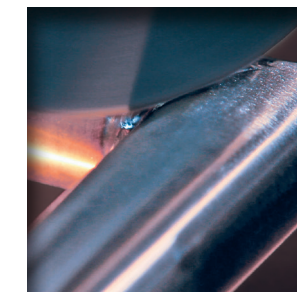
- For polishing stainless steel and non-ferrous metals, always in conjunction with a polishing paste

Dimensions inches	Grit	Pcs/Pkg	Order #
6" x 3/16" x 1"	Soft	1	626395000

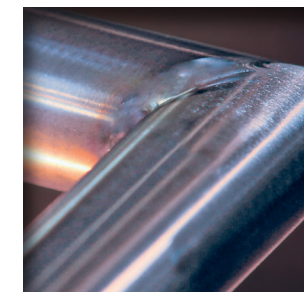
TIP:
 REMOVING A RIGHT ANGLE WELD SEAM ON A HANDRAIL



Right angle weld seam on a handrail.



The KNS fillet weld grinder is the machine of choice for this task thanks to its ultra slim profile. Select speed setting 5* and remove the fillet weld seam easily, even right into the corner without damaging adjacent surfaces.



Ground fillet weld seam with perfect transitions.



CORDED
Band File
BFE 9-20



18V CORDLESS
Band File
BF 18 LTX 90

Band file grinds, burnishes and deburrs in difficult to reach places

Model	BFE 9-20 602244620
Electronics	Vario-constamatic (VC)
Motor	LongLife
Quick belt change system	•
Switch with lock on capability	•
Spindle lock	•
Low profile aluminum die-cast gear housing	•
Ergonomic side handle	•
Metabo safety slip clutch	•
Auto-stop carbon brushes	•
Winding protection grid	•
Sanding belt size	1/4", 1/2", 3/4" x 18"
No-load speed (SFM)	2,087-3,937
Amps	8.5
Rated input watts	950
Useful length of grinding belt arm	3-1/2"
Carrying case	344453980 (standard)
Standard equipment:	Side handle (316046590)
	10 (pcs) Zirconia alumina sanding belts 1/4" x 18" P60 (626345000) P120 (626347000) 3/4" x 18" P60 (626353000) P120 (626355000)
	2 (pcs) 1/4" x 18" medium non-woven (626384000)
	Grinding arm - for belt widths of 1/4" and 1/2" (626379000) 3/4" (626382000)
Optional equipment:	(See page 19)

Model	BF 18 LTX 90 600321850
Bare Tool:	
Electronic clutch	•
Electronic overload protection	•
Switch with lock on capability*	•
Power interruption protection	•
Electronic soft start	•
Spindle lock	•
Rotatable battery pack	•
Detachable dust filter	•
Wheel/belt size	1/4", 3/8", 1/2" x 18"
No-load speed (SFM)	1,576
Standard equipment:	Dust filter (343398890)
	Side handle (316046590)
	Grinding arm - for belt widths of 1/4" and 1/2" (626379000)
Optional equipment:	(See page 19)

Band File Accessories

Zirconia alumina sanding belts



- For all metal uses, particularly suited to the processing of steel/stainless steel
- Excellent removal rate and long belt life
- For rough finishing and deburring

Grit	Pcs/Pkg	Order no. 1/4 x 18	Order no. 1/2 x 18	Order no. 3/4 x 18
P 40	10	626344000	626348000	626352000
P 60	10	626345000	626349000	626353000
P 80	10	626346000	626350000	626354000
P 120	10	626347000	626351000	626355000

Ceramic grain sanding belts



- For all metal uses, particularly suited to the processing of steel/stainless steel
- Extremely high removal rate with excellent belt life due to self sharpening ceramic grains
- For rough and medium finishing and deburring

Grit	Pcs/Pkg	Order no. 1/2 x 18
P 40	10	626360000
P 60	10	626361000
P 80	10	626362000
P 120	10	626363000

Non-woven nylon web bands



- For grinding, cleaning and finishing work
- For removing scratches, color runs and oxide layers
- For preparing, pre-grinding and polishing weld seams

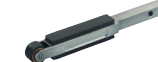
Grit	Pcs/Pkg	Order no. 1/4 x 18	Order no. 1/2 x 18	Order no. 3/4 x 18
Coarse (brown)	5	626383000	626387000	626391000
Medium (maroon)	5	626384000	626388000	626392000
Very fine (blue)	5		626390000	626394000

Sanding belt arms



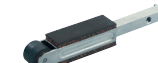
- Suitable for sanding belts 1/4 x 18 in. and 1/2 x 18 in.
- For sanding narrow areas, weld seams, deburring edges
- Work on flat or curved surfaces

Order #
626379000



- Suitable for sanding belts 1/2 x 18 in.
- For sanding edges, deburring pipes, sanding welds
- Work on flat surfaces

Order #
626381000



- Suitable for sanding belts 3/4 x 18 in.
- For grinding edges and surfaces
- Work on flat surfaces

Order #
626382000

Micro-fiber cloth



- 3 micro-fiber cloths
- For cleaning and evenly distributing protective media and polishes
- For removing pastes and cream residue
- Suitable for all metals and hard plastics

Order #
626398000

CORDED
Variable Speed High Torque Dry Polisher PE 15-20 RT



Backing pad not included

CORDED
Variable Speed High Torque Dry Polisher PE 15-30



Model	PE 15-20 RT 615200420	PE 15-30 615300420
Maximum pad diameter	7"	7"
Double insulated	•	•
Electronic features:		
Speed stabilization	Vario-tacho-constamatic (VTC)	
Power interruption protection	•	•
Overload protection	•	•
Soft start feature	•	•
Restart protection	•	•
Electronic winding temperature monitor with LED display	•	•
Winding protection grid	•	•
Planetary gearing	•	•
Variable speed controlled by adjusting dial	•	•
Auto-stop carbon brushes	•	•
No-load speed (RPM)	300-1,900 RPM	800-3,000 RPM
Amps	13	13
Rated input watts	1,500	1,550
Spindle thread	5/8"-11	5/8"-11
Carrying case		
Standard equipment:		
Side handle	314000540	
Loop handle		•
Optional equipment:		
5" soft backing pad	655141000	655141000
5" medium backing pad	655129000	655129000
5" hard backing pad	623298000	623298000
7" hard backing pad	655143000	655143000

Polisher Accessories




Hook and loop backing pads



• Hook & loop-faced, for attaching polishing and sanding accessories

Diameter inches	Pcs/Pkg	Order no.
5" Soft backing pad	1	655141000
5" Medium backing pad	1	655129000
5" Hard backing pad	1	623298000
7" Hard backing pad	1	655143000

5" Hook and loop backed accessories

Diameter inches	Description	Pcs/Pkg	Order no.
	5" Cling-fit intermediate disc for uneven surfaces	1	631216000
	5" Polishing sponge	1	631222000
	5" Lambs wool buff	1	631223000

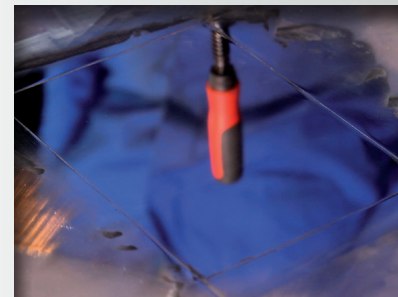
POLISHING STAINLESS STEEL



Pre-polish with a soft backing pad and polishing sponge in combination with white polishing paste. Start off slow and then build the speed up as the paste warms and works itself into the metal.



Final "shine" with a soft backing pad and lambs wool buff in combination with blue polishing paste at speed setting 4-5*. Start off slow, work the paste into the material and finish on high speed.



Perfect mirror-gloss surface achieved.



TIP:

Between each stage, it is important to wipe down and clean the tool and work piece to remove any residual abrasive material.



CORDED
5" Angle Grinder
 WEV 17-125 Quick INOX



CORDED
4 1/2"-5" Flat Head
Electronic Variable Speed
High Torque Angle Grinder
 WEVF 10-125 Quick INOX

Model	WEV 17-125 Quick INOX 600517420
Electronics	Vario-tacho-constamatic (VTC)
Electronic soft start feature	•
Electronic speed stabilization	•
Power interruption protection	•
Electronic winding temperature	•
Motor	LongLife
Quick wheel change system	•
Switch with lock on capability	•
Low profile aluminum die-cast gear housing	•
Variable speed dial	•
Burst-proof guard w/ 7 stops	•
Anti-vibration side handle	•
Metabo safety slip clutch	•
Auto-stop carbon brushes	•
Winding protection grid	•
Maximum torque	37.2 inch lbs.
Maximum wheel diameter	5"
No-load speed (RPM)	2,000-7,600
Amps	14.5
Rated input watts	1,550
Arbor size	7/8"
Spindle thread	5/8"-11
Standard equipment:	MVT Vibratex side handle (314000970) Wheel guard (339203010) Inner flange (341031290) Locking nut (316031310) Locking nut (341101480) Spanner wrench (623934000)
Optional equipment:	Detachable dust filter (630719000)

Model:	WEVF 10-125 Quick INOX 613080420
Maximum wheel diameter	4 1/2" - 5"
Amps	9.5
No-load speed (RPM)	2,000-7,600
Minimum clearance	43° / 2-5/8"
Mechanical brake	
Non-locking paddle switch	
Toolless wheel change	•
Motor	LongLife
Side handle	Vibration dampened
Electronic features:	
Variable speed dial	•
Speed stabilization	VC
Power interruption protection	•
Soft start feature	•
Overload protection	w/LED
Electronic safety clutch	•
Rotatable gear housing	•
Toolless, adjustable burst-proof guard w/ 7 stops	•
Standard Equipment	
Wheel guard	316055590
Side handle	316046590
Inner flange	341031290
Locking nut	341101480
Spanner wrench	623934000
Optional Equipment	
Type 1 cutting guard	630355000

Inox Angle Grinder Accessories

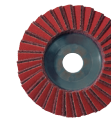
Special non-woven - VKS (with bore)



- Made from pressed fleece material on glass fiber supporting plate
- Reduces the number of working stages required. For cleaning and polishing surfaces, for smoothing weld seams
- For steel, stainless, alloy and high-alloy steels, colored and light metals, chrome and nickel steels, titanium, steels

Diameter inches	Grit	Pcs/Pkg	Order #
5" x 7/8"	Very fine	1	626368000
5" x 7/8"	Very fine	5	626417000

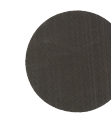
Combi Flap disc (KLS)



- Made from high-quality pink aluminum oxide fabric in combination with high-quality nonwoven nylon abrasive
- For removal of rough material to fine polish in a single process. Very even grinding results with good material removal
- For processing weld seams on flat or rounded surfaces. For removing minor scratches and damage to the work piece
- Suitable for grinding, cleaning and finishing work on stainless steel, steel, color and light metals, titanium alloys

Diameter inches	Grit	Pcs/Pkg	Order #
5" x 7/8"	Coarse	1	626369000
5" x 7/8"	Coarse	5	626415000
5" x 7/8"	Medium	1	626370000
5" x 7/8"	Medium	5	626416000

"Pyramid" cling-fit sanding discs



- 3-dimensional structure of the grinding media (pyramid-shaped)
- High volume output with very even and fine sanding results at the same time. Long service life. Faster progress when compared to traditional sanding media, due to the reduced number of working stages
- For removing scratches, mill skin on stainless steel. Preparation for polishing
- Suitable for use on all metals; especially for stainless steels, titanium, cobalt, nickel, chrome alloys

Diameter inches	Grit	Pcs/Pkg	Order #
5"	P 120 (A 160)	5	626371000
5"	P 280 (A 65)	5	626372000
5"	P 400 (A 45)	5	626373000
5"	P 600 (A 30)	5	626374000
5"	P 1200 (A 16)	5	626403000
5"	P 2000 (A 6)	5	626404000

Special non-woven disc - VKS cling-fit



- Made of compacted fleece material hook and loop backing
- Reduces the number of working stages required. For cleaning and polishing surfaces, for smoothing weld seams
- For steel, stainless, alloy and high-alloy steels, color and light metals, chrome and nickel steels, titanium, steels

Diameter inches	Grit	Pcs/Pkg	Order #
5"	Very fine	1	626375000

Stripping wheels



- For the removal of light rust, paint / varnish on metal, cleaning weld seams / steel / copper / aluminum / brass, sanding steel and texturing wood
- Maximum working speed: 63 m/s
- Recommended speeds at Ø 115 mm: 2,900 /min, Ø 125 mm: 2,700 /min

Diameter inches	Grit	Pcs/Pkg	Order #
4.5" x 7/8"	Medium	1	624346000
5" x 7/8"	Medium	1	624347000

Cling-fit backing pad



- 5" x 5/8-11

Order #
6243298000

Micro fiber cloth



- 3 micro-fiber cloths
- For cleaning and evenly distributing protective spray and polishes
- For removing paste residue using talcum powder
- Suitable for all metals and hard plastics

Order #
626398000

Metabo
Koki Holdings America Ltd.
1111 Broadway Ave.
Braselton, Georgia, 30517
800-706-7337



metabo[®]
PROFESSIONAL POWER TOOL SOLUTIONS